

GC POWER



LIFT YOUR WORLD
[1.5 ton to 3.5 ton Capacity]



Three-wheel
Four-wheel
Electric Forklift

Flexible/Quiet/Easy to drive/Efficient



GC POWER

1.5 TON TO 3.5 TON CAPACITY

Three-wheel and Four-wheel Electric Forklift Flexible, Quiet, Easy to drive, Efficient

- Global Power Co. Ltd. was founded in 2001, and its main products are diesel counterbalance forklift, four-wheel electrical counterbalance forklift, three-wheel electrical forklift, compact forklift, OEM narrow aisle forklift.



- Wholly integrated frame: Its intensity and safety are high.
- Electricity controller: 48 Voltage System
- Electric motor and front bridge: Electric motor and front bridge are located in parallel.
- Increased transmission efficiency
- Battery: The narrow-shaped design makes the size smaller.
- Universal joint device: The universal joint device connects the hydraulic steering device and the steering wheel, reducing the discomfort caused by shaking.





**Flexible, Quiet,
Easy to drive, Efficient**



Comparing with DC motors, the AC motors provide operator with more sensitive and smooth response. There is no more maintenance for AC motors, which extends the service life of the motors.



- Wonderful flexibility: Compact design of the body and stable inductive steering system keeps the triple electrical forklifts very little turning radius.
- Controller, motor & hydraulic system: All specifications can be changed by adjusting the compact processing unit, ensuring the trucks perform tidy.
- Comfortable and controllable: We adopt man-machine engineering theory. The dashboard is clear at a glance. We make a comfortable driving room with the best efficiency.

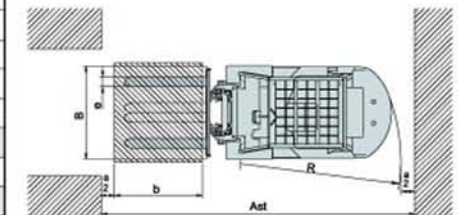
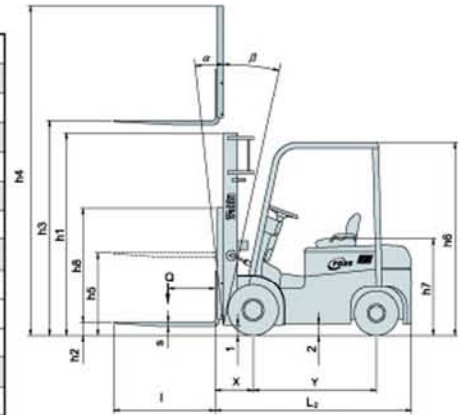
Three-wheel Electric Forklift Truck

GC POWER electric forklift provides customers with high efficiency, good quality, flexibility and long life battery



SPECIFICATIONS

Features	1		GC POWER	GC POWER	GC POWER	GC POWER	GC POWER	GC POWER	GC POWER	GC POWER		
	Manufacturer		FB 15G	FB 18G	FB 20G	FB 25G	FB 30G	FB 35G	FBT 15G	FBT 18G		
	2	Model										
	3	Capacity	Q Rated load	kg	1500	1800	2000	2500	3000	3500	1500	1800
	4	Load center	C Distance	mm	500	500	500	500	500	500	500	500
	5	Powered by	Electric (Battery)		ELECTRIC	ELECTRIC	ELECTRIC	ELECTRIC	ELECTRIC	ELECTRIC	ELECTRIC	ELECTRIC
	6	Driving position	Operator : standing-sitting-walking		SITTING	SITTING	SITTING	SITTING	SITTING	SITTING	SITTING	SITTING
	7	Tires	P=Pneumatic S=Solid Front/Rear		P(S) / P(S)	P(S) / P(S)	P(S) / P(S)	P(S) / P(S)	P(S) / P(S)	S / S	P(S) / S	P(S) / S
Dimensions	8	Wheels	Number Front/Rear		2/2	2/2	2/2	2/2	2/2	2/2	2x/2	2x/2
	9	Standard duplex mast	h3 Standard lifting	mm	3000	3000	3000	3000	3000	3000	3000	3000
	10		h2 Normal free lift	mm	-	-	-	-	-	-	-	-
	11		h5 Full free lift	mm	1500	1500	1500	1500	1500	1500	1500	1500
	12	Forks carrier	h8 Forks carrier stature	mm	1220	1220	1220	1220	1220	1220	1220	1220
	13	Standard forks	Thickness(s) x Width(e) x Stature(l)	mm	35x100x1070	35x100x1070	40x125x1070	40x125x1070	50x125x1070	50x125x1070	35x100x1070	35x100x1070
	14	Tilting	Forward (α) / Backwards (β)	deg	6/12	6/12	6/12	6/12	6/12	6/12	5/7	5/7
	15	Dimensions	L2 Overall length without forks	mm	2060	2060	2230	2300	2450	2645	1940	1940
	16		B Overall Width	mm	1115	1115	1200	1200	1270	1315	1070	1070
	17		H1 Min. height with closed mast	mm	2100	2100	2100	2100	2100	2100	2080	2080
	18		H4 Max. height with raised mast	mm	4220	4220	4220	4220	4220	4220	4220	4220
19	H6 Height of overhead guard		mm	2040	2040	2150	2150	2150	2150	2020	2020	
20	H7 Height of the seat	mm	1030	1030	1150	1150	1150	1100	1050	1050		
21	Turning radius	R	mm	2085	1900	1900	2100	2320	2420	1550	1550	
22	Load distance	X From forks to front wheel axle	mm	400	400	450	450	460	480	350	350	
Wgt Perform	23	Right angle stacking aisle	Ast Pallets 800x1200/1000	mm	3250/3450	3250/3450	3525/3725	3525/3725	3810/4010	3900/4100	3250/3450	3250/3450
	24	Speed	Drive speed : Full load / Idle	km/h	10/12	10/12	11/13	11/13	12/14.5	14/16.5	11/13	10.5/12
	25		Lifting speed : Full load / Idle	mm/s	260/400	260/400	240/360	240/360	220/320	240/400	260/400	260/400
	26		Lowering speed : Full load / Idle	mm/s	550/450	550/450	460/400	460/400	460/400	460/400	550/450	550/450
27	Traction	Full load	KN	5.5	5.5	6.5	6.5	21	23	7.5	7.5	
28	Gradeability	Full load	%	10	10	10	10	10	10	15	15	
29	Weight with battery		kg	3200	3300	4000	4200	4800	5500	3300	3505	
Chassis	30	Wheels	Number: Front / Rear		2/2	2/2	2/2	2/2	2/2	2/2	2/2	2/2
	31		Size : Front		21x8-9	21x8-9	23x9-10	23x9-10	23x9-10	23x10-12	18x7-8	18x7-8
	32		Size : Rear	mm	5.00-8-8	5.00-8-8	18x7-8	18x7-8	18x7-8	18x7-8	15 1/2-8	15 1/2-8
	33	Wheel base	Y	mm	1350	1350	1450	1450	1600	1720	1280	1280
	34	Tread	Wheels center (Front/Rear)	mm	910/920	910/920	975/990	975/990	975/990	1050/990	880	880
	35	Ground clearance	m1 Full load	mm	70	63	95	85	90	110	99	99
36	m2 Wheelbase center		mm	105	105	120	120	120	120	99	99	
37	Brakes	Pedal service brake		Hydraulic	Hydraulic	Hydraulic	Hydraulic	Hydraulic	Hydraulic	Hydraulic	Hydraulic	
38		Hand parking brake		Mechanic	Mechanic	Mechanic	Mechanic	Mechanic	Mechanic	Mechanic	Mechanic	
Drive unit	39	Battery	Voltage	V	48	48	48	48	80	48	48	
	40		Capacity	AH/5HR	500	500	600	600	500	600	490	490
	41		Battery box size (LxWxH)	mm	L960xW430xH760	L960xW430xH760	L975xW495xH800	L975xW495xH800	L1124xW610xH800	L1124xW684xH800	L975xW510xH520	L975xW510xH520
	42		Weight	kg	780	780	970	970	1370	1770	840	840
	43		Traction	Power/Rated speed	KW/rpm	5/1450	5/1450	6.3/1200	6.3/1200	10/1200	10/1200	2.5x2/1900(AC)
44	Electric motors	Lifting	Power/Rated speed	KW/rpm	6.3/2000	6.3/2000	7.5/2000	7.5/2000	10/2000	13/1500		
		steering	Power/Rated speed	KW/rpm	0.85/1550	0.85/1550	0.85/1550	0.85/1550	1.35/1550	1.35/1550	8.2/1600	8.2/1600



Ast=X+R+b+a
b=Load length
a=Clearance (200mm)

GC POWER

Global Power Co., Ltd.

Address: Jiaozhou Bay Yinghai Industrial Estate, Qingdao, Shandong, P.R.China

Tel: +86-532-85263557 / 85263876

Fax: +86-532-85263567

Http://www.g-cpower.com

E-mail: webmailchina@g-cpower.com